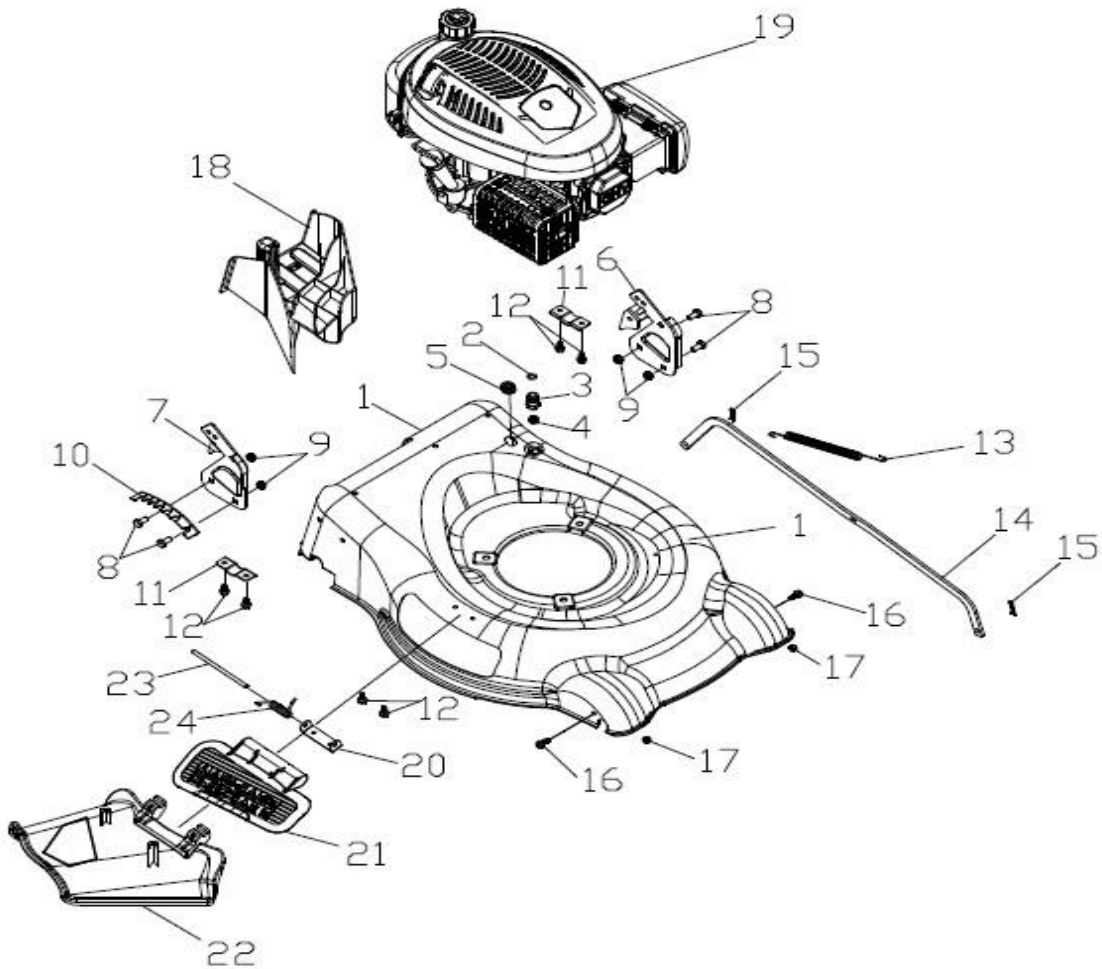
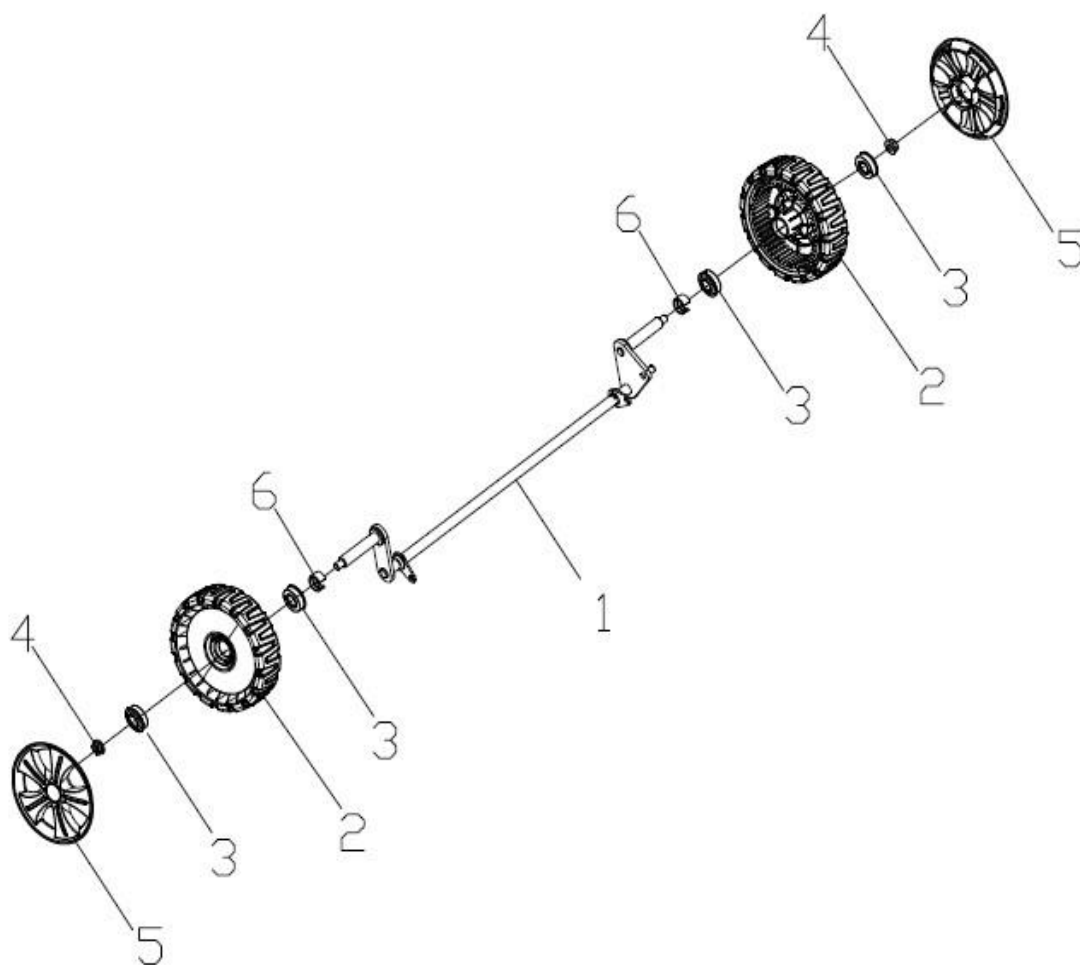


Part No.	Discription in English	Qty
1	foam pipe	1
2	stop lever	1
3	Self-propelled Lever	1
4	upper handrail	1
5	Rope Guide	1
6	Cap nut	1
7	Brake Cable Assy plate	1
8	Bolt	2
9	Self-locking nut	2
10	Plastic stopperPlastic stopper	1
11	brake cable	1
12	selfpropelled cable	1
13	quick fix knob	2
14	Pin	2
15	Quick Fix Handle	2
16	lock for fast fix handle	2
17	flat washer	4
18	lock nut	2
19	Hexagon nut	4
20	lower handrail	1
21	fastener	1
22	Hexagon head bolts	2
23	Half round head square neck bolts	2
24	Hex lock nut	2

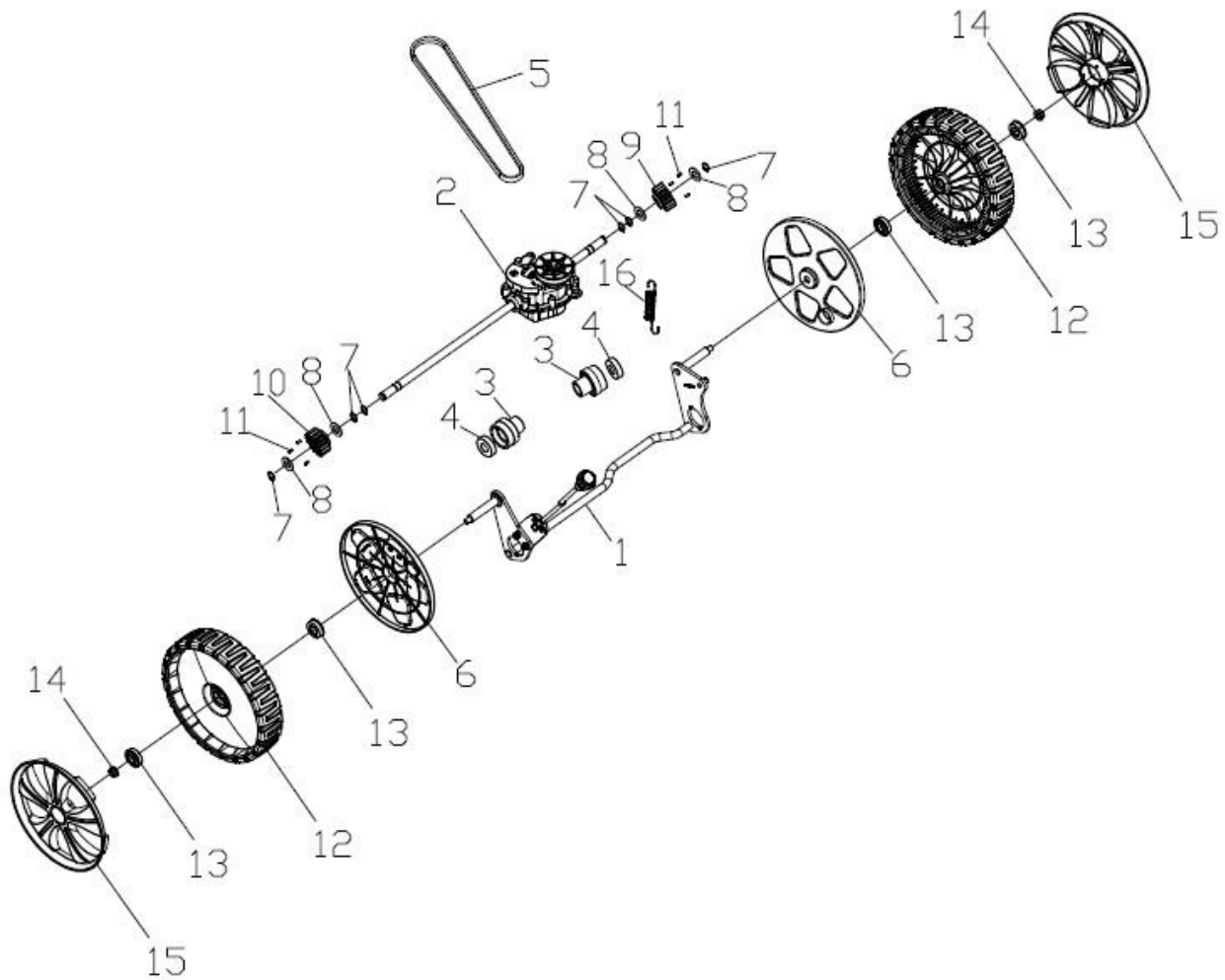


Part No.	Discription in English	Qty
1	deck welding assy.	1
2	"O" ring	1
3	inlet	1
4	Pipe connector nut	1
5	cable stopper	1
6	left handle bracket	1
7	left handle bracket	1
8	Hexagon head bolts	4
9	Hex lock nut	4
10	height adjustment board	1
11	rear drive bracket	2
12	Hex tapping screws	6
13	Pull Spring for Pull Rod	1
14	Height Adjustment Pull Rod	1
15	R type pin	2
16	Bolt	2
17	Self-locking nut	2
18	mulching plug	1
19	petrol engine	1

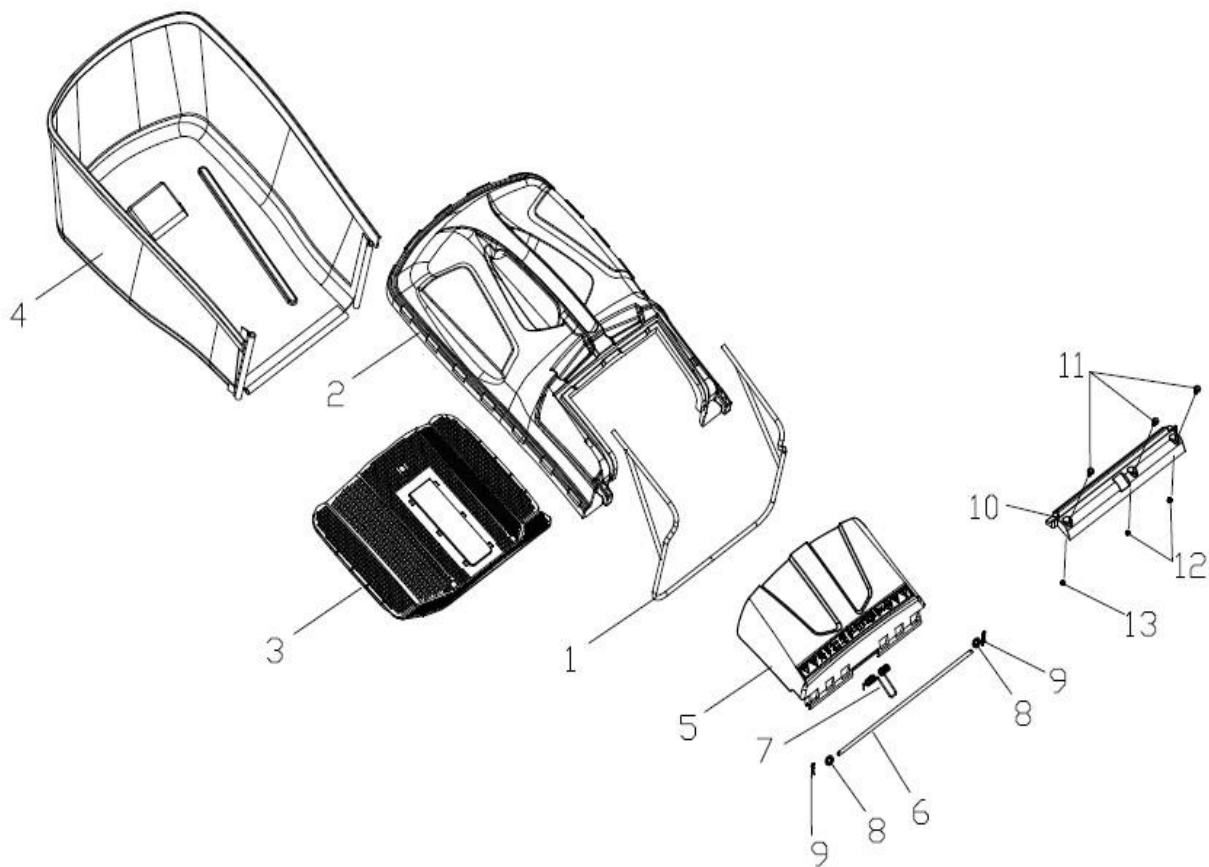
20	Bracket plate for defelctor	1
21	mulching board	1
22	side discharge cover	1
23	Mulch Shaft	1
24	mulch board spring	1



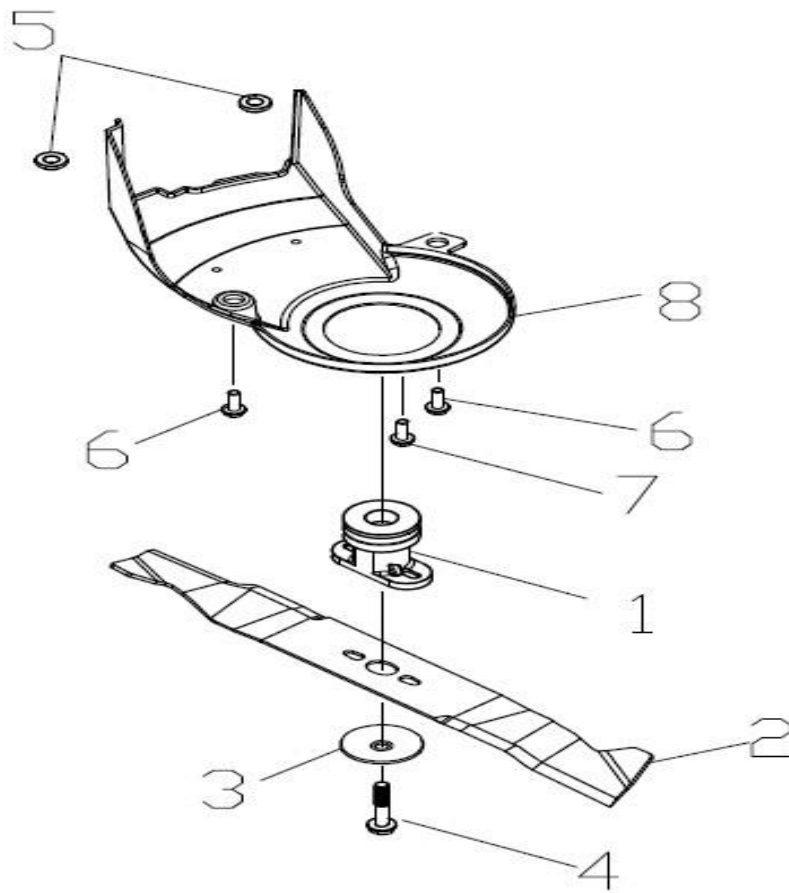
Part No.	Discription in English	Qty
1	front drive assy.	1
2	wheel assy.	2
3	wheel punch bearing	4
4	Self-locking nut	2
5	outer cover of hub	2
6	front bracket fastener	2



Part No.	Discription in English	Qty
1	rear drive assy.	1
	height adjustment ball	1
2	selfpropelled assy.	1
3	bushbush	2
4	bearing	2
5	v belt	1
6	inner cover of hub	2
7	spring washer	6
8	selfpropelled ratchet washer	4
9	Ratchet Wheel LRatchet Wheel L	1
10	Ratchet Wheel R	1
11	bratchet pin	6
12	wheel assy.	2
13	wheel punch bearing	4
14	Self-locking nut	2
15	outer cover of hub	2
16	selfpropelled spring	1

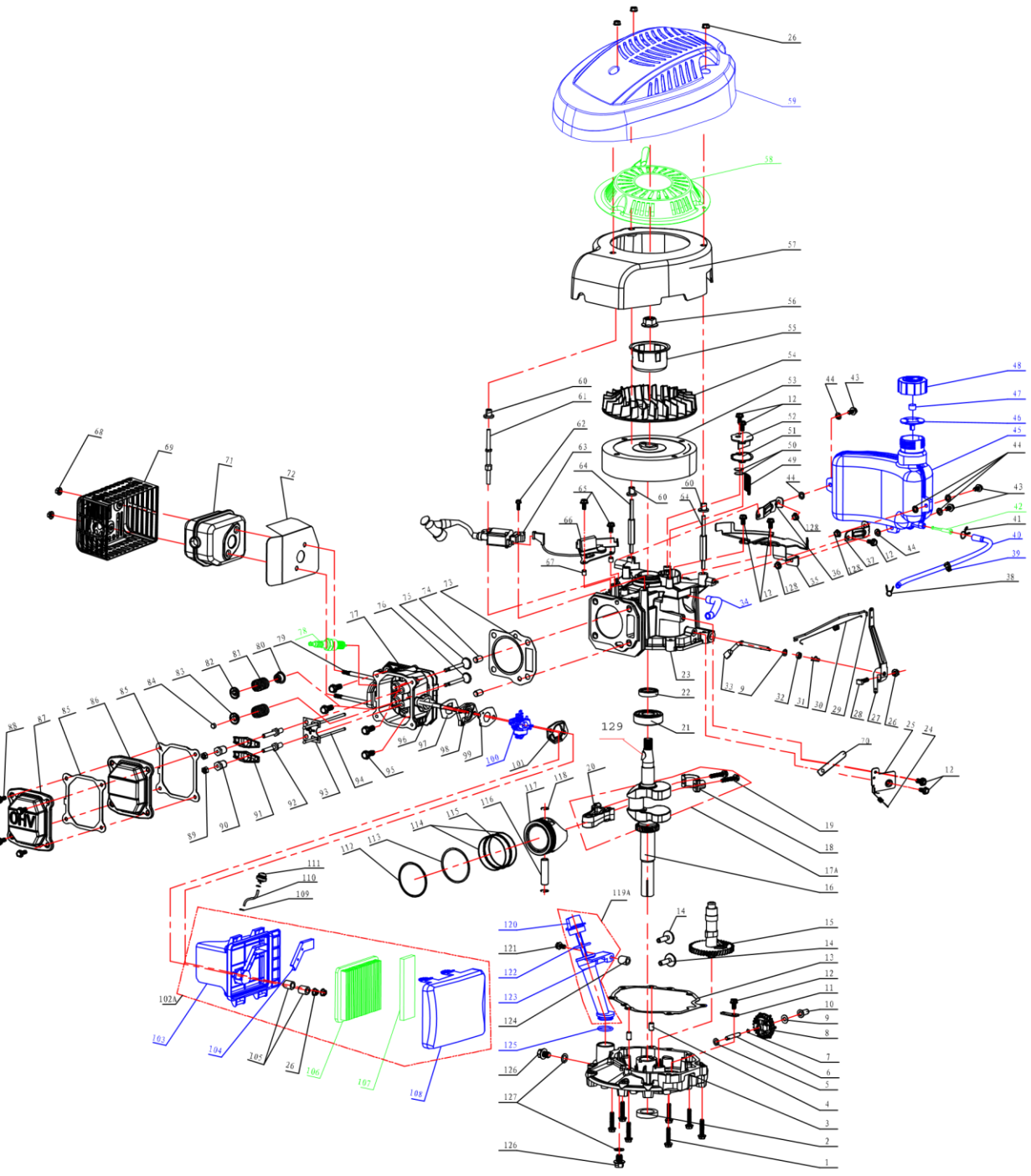


Part No.	Discription in English	Qty
1	fabric metal frame	1
2	top of grass box	1
3	filter plate	1
4	fabric grass bag	1
5	rear discharge cover	1
6	Shaft for rear discharge cover	1
7	cover spring	1
8	lock washer	2
9	R type pin	2
10	rear discharge cover dust proof board	1
11	Bolt	3
12	Self-locking nut	2
13	Cap nut	1



Part No.	Discription in English	Qty
1	Blade Adapter Assy	1
2	blade	1
3	blade washer	1
4	Inch hex flange bolts	1
5	Chassis bushing	2
6	Hex flange bolts	2
7	Hex flange bolts	1
8	belt cover	1

T475 engine



Pol.č.	Popis	Množstvo
1	šroub M6x30	7
2	simering 25x38x7	1
3	olejová vana	1
4	vodící čep 8x14	2
5	O kroužek 6.5x12x1	2
6	hřídel regulátoru	1
7	seger. pojistka	1
8	odstř. regulátor	1
9	O kroužek 6.5x15x0.5	1
10	pouzdro	1
11	podložka	1
12	šroub M6x12	8
13	těsnění	1
14	čep	2
15	vačková hřídel	1
16	kliková hřídel	1
17A	ojnice kompl.	1
18	nelze objednat !	1
19	nelze objednat !	2
20	nelze objednat !	1
21	ložisko 6205	1
22	simering 22x35x7	1
23	kliková skříň	1
24	pružina reg. (krátká)	1
25	deska regulátoru	1
26	matic M6	6
27	rameno regulátoru	1
28	T šroub	1
29	táhlo regulátoru	1
30	pružina reg. (dlouhá)	1
31	čep	1
32	simering 6x11x4	1
33	rameno regulátoru	1
34	přepad	1
35	držák nádrže	1

36	držák nádrže	1
37	držák nádrže	1
38	pojistka	1
39	pojistka	1
40	vedení paliva	1
41	pojistka	1
42	filtr paliva	1
43	šroub M6x22	3
44	podložka	6
45	nádrž paliva	1
46	těsnění	1
47	filtr uzávěru nádrže	1
48	uzávěr nádrže	1
49	vložka	1
50	ventil	2
51	těsnění	1
52	kryt	1
53	setrvačnick	1
54	ventilátor	1
55	miska startéru	1
56	matic M14x1.5	1
57	Blower Housing	1
58	Recoil Start Assy	1
59	Engine Cover	1
60	Blower Housing Bush	3
61	Abnormity Two Stud Bolt I	1
62	Bolt M6x25	1
63	Ignition Assy	1
64	Abnormity Two Stud Bolt II	2
65	Bolt M6x20	2
66	Detent Assy	1
67	Detent Bush	2
68	Nut M6	2
69	Muffler Cover Assy	1
70	Wrapped clip	1
71	Muffler Assy	1

72	Heat Insulation Gasket of Muffler	1
73	Gasket of Cylinder Head	1
74	Locating Pin of Cylinder Head	2
75	Inlet Valve	1
76	Outlet Valve	1
77	Cylinder Head Assy	1
78	Spark Plug	1
79	Two Stud Bolt M6x92	2
80	Oil Seal Assembled of Valve	1
81	Spring of Valve	2
82	Spring Coil of Inlet Valve	1
83	Spring Coil of Outlet Valve	1
84	Top Cover of Outlet Valve	1
85	Gasket of Cylinder Head Cover	2
86	Cylinder Head Cover I	1
87	Cylinder Head Cover II	1
88	Bolt M6x14	4
89	Combined Nut	2
90	Adjust Nut of Valve	2
91	Rocker of Valve	2
92	Rocker Support Bolt of Valve	2
93	Guide Board of Handspike	1
94	Handspike	2
95	Bolt M8x45	4
96	Two Stud Bolt M6x95	2
97	Paper Gasket I of Carburetor	1
98	Air Inlet Pipe	1
99	Paper Gasket II of Carburetor	1
100	Carburetor Assy	1
101	Steel Gasket	1
102A	Air Filter Assembled	1
103	Air Filter Pedestal	1
104	Exhaust Gas Cover Board	1

106	Paper Filter Element	1
107	Sponge Filter Element	1
108	Air Filter Upper Cover	1
109	Air Pipe Circlip of Prime Button	2
110	Air Pipe of Prime Button	1
111	Prime Button	1
112	Piston Ring I	1
113	Piston Ring II	1
114	Guide Rail	2
115	Bushing Ring	1
116	Piston Pin	1
117	Piston	1
118	Circlip of Piston Pin	2
119	Lubricating Setting	1
120A	Lubricating Gauge	1
123	Lubricating Pipe	1
121	Bolt M6x50	1
122	"O" Ring 25x3.1	1
124	Distance Sleeve of Lubricating Settin	1
125	"O" Ring 21x2.3	1
126	Draining Oil BoltM10x1.25x12	2
127	Draining Oil Bolt Gasket	2
128	Type II LockNut M6	3
129	klínek setrvačníku	